

# SERVICE PARTS LIST FOR MITSUBISHI ELECTRIC PACKAGED AIR-CONDITIONERS

Series : PURY-EP·Y(S)HM-A(1)(-BS)

For use with the R410A

May. 2009

BWE09080

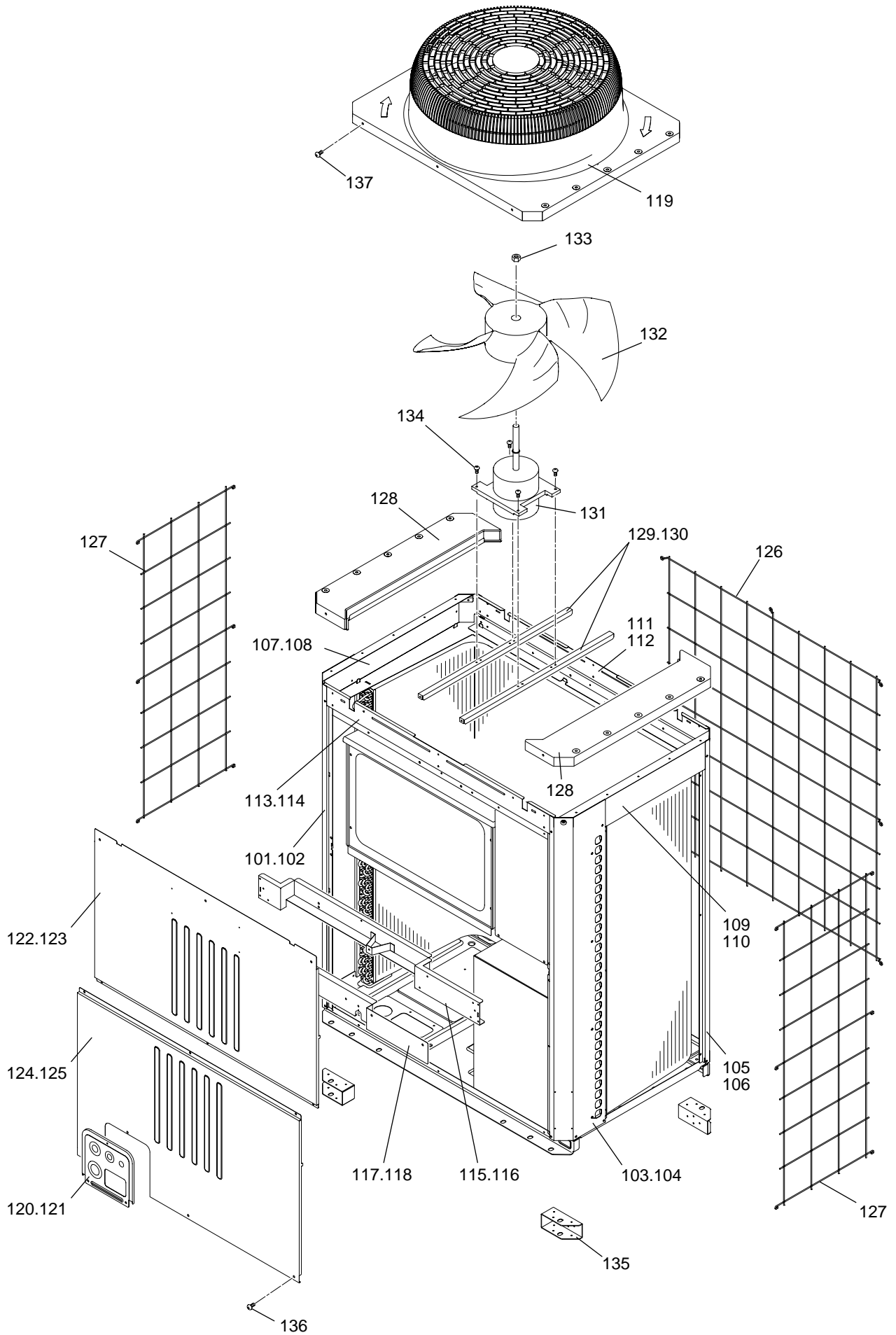
## INDEX

PURY-EP250YHM-A(-BS)

## The Package name list

PURY-EP450YSHM-A1(-BS) [PURY-EP200YHM-A(-BS) + PURY-EP250YHM-A(-BS)]

PURY-EP550YSHM-A1(-BS) [PURY-EP250YHM-A(-BS) + PURY-EP300YHM-A(-BS)]





<To replace parts with the HEX removed>  
 Individual replacement of parts 210, 229, and 234 is possible.  
 <To replace parts without the HEX removed>  
 Replace parts 210, 229, and 234 with a service pipe assembly 235 (Figure 1).

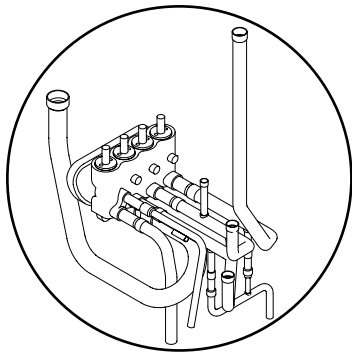
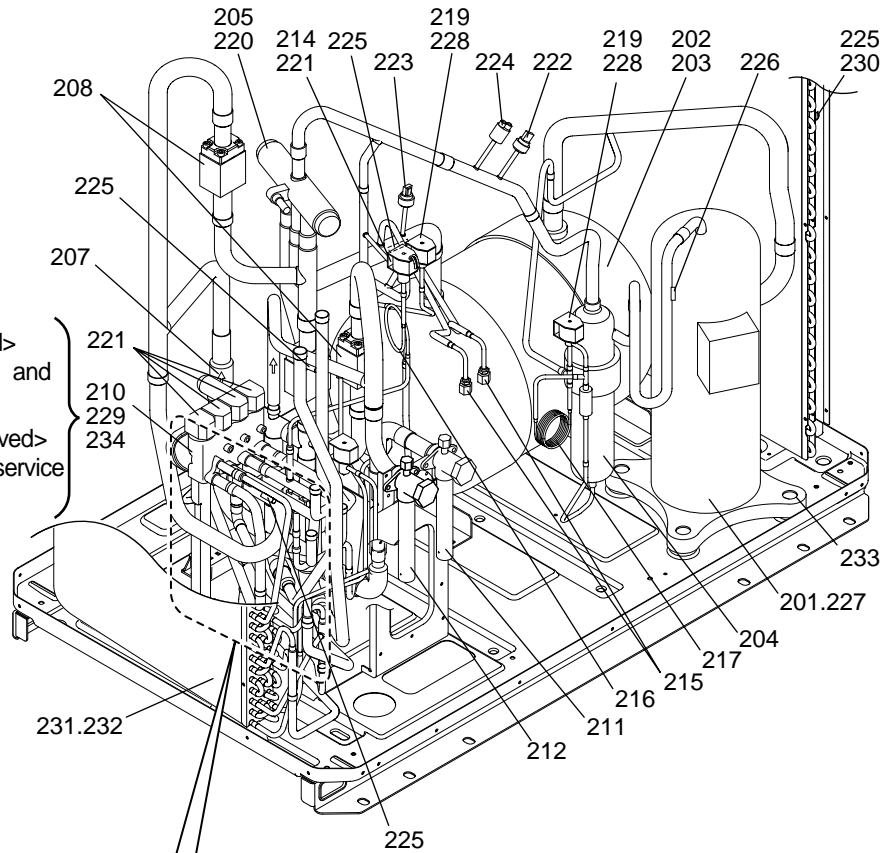
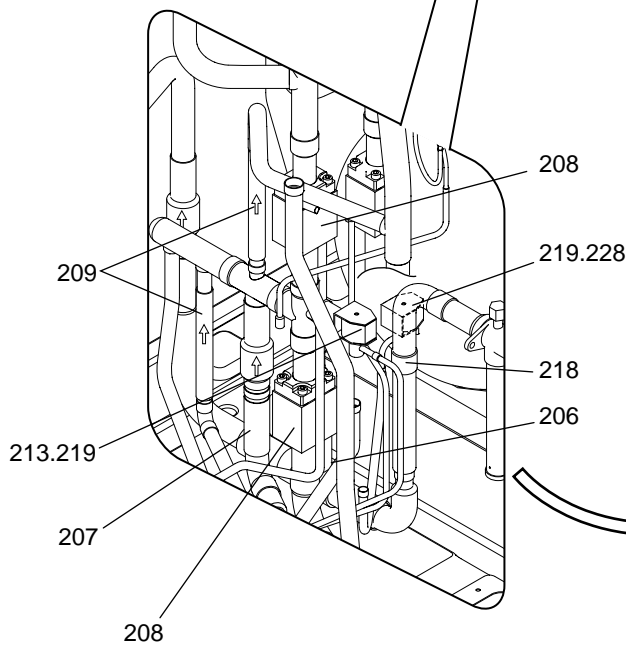


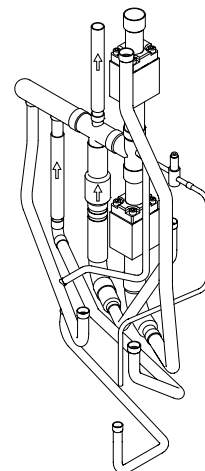
Figure 1



<To replace parts with the HEX removed>  
 Individual replacement of parts 207 and 209 is possible.

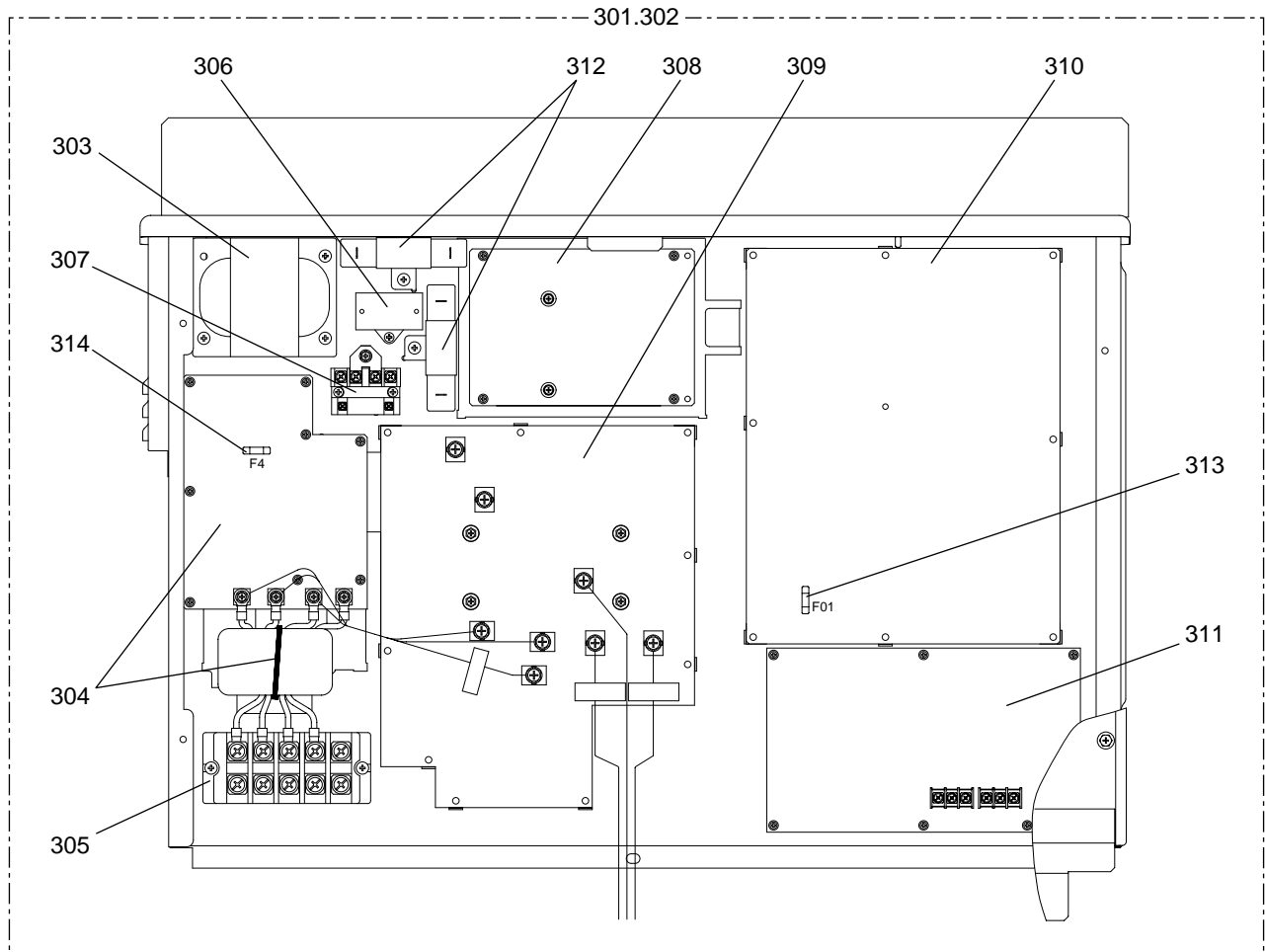


<To replace parts without the HEX removed>  
 Remove the solenoid valve block assembly (Figure 1), take the check valve assembly (see figure below) out of the unit, and replace parts 207, 208 and 209 with parts 236. Only one set of 236 is required when replacing multiple check valves.\*1



\*1 Refer to the replacement instructions provided with parts 235 and 236 for details.





No.	Part No.	G : RoHS Apply Only W : RoHS Apply by Running Change		Spec.	PURY-EP250YHM-A	PURY-EP250YHM-A-BS				Dwg. No.	Price	Revision History
			Part Name									
301	R61 078 305	G	Control box		1					KE80C152G21		
302	R61 079 305	G	Control box		1					KE80C152G22		
303	R61 011 259	G	Reactor	<DCL>	1	1				P715440X02		
304	R61 003 293	G	Noise filter	<Noise Filter,L>	1	1				KE80C155G01		
305	R61 007 246	G	Terminal block	<TB1>	1	1				S436005H12		
306	R61 001 255	G	Capacitor assy	<C100>	1	1				KE00D263G01		
307	R61 003 216	G	Relay	<72C>	1	1				P421295X01		
308	R61 037 280	G	FAN board		1	1				W652171G07		
309	R61 039 280	G	INV board		1	1				KE80C154G02		
310	R61 014 281	G	Control board		1	1				KE80C153G31		
311	R61 012 281	G	M-NET board		1	1				KE80C055G03		
312	R61 001 234	G	Resistor	<R1>,<R5>	2	2				P411151X01		
313	R61 005 239	G	Fuse	3.15A AC250V T	1	1				S423001H39		
314	R63 993 964	G	Fuse	6.3A AC250V T	1	1				S423001H30		

